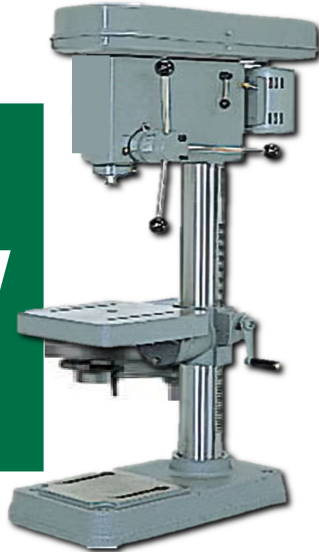


HIKOKI
BY HITACHI



Bench Drill Press

B13R

Capacity :

Steel : 13mm (1/2")

Power Input : 220W

No Load Speed : 50Hz : 500/800/1,420/2,000/3,000/min.

60Hz : 600/960/1,700/2,400/3,600/min.

Spindle Taper : No.6 Jacob's Taper

Swing : 360mm (14")

Max Quill Stroke : 80mm (3-1/8")

Working Surface : 280mm

Base : 210x200mm (8-1/4" x 7-7/8")

Overall Height : 990mm

Weight : 55kg (121 lbs.)

HIKOKI
BY HITACHI

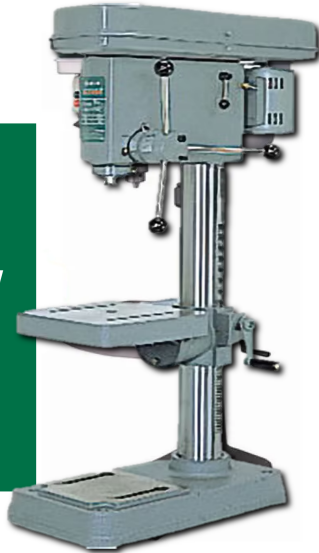


Bench Drill Press

B13S

Capacity :	
Steel	: 13mm (1/2")
Power Input	: 200W
No Load Speed : 50Hz	: 500/800/1,420/2,000/3,000/min.
60Hz	: 600/960/1,700/2,400/3,600/min.
Spindle Taper	: No.6 Jacob's Taper
Swing	: 360mm (14")
Max Quill Stroke	: 80mm (3-1/8")
Working Surface	: 250mm x 250mm (9-7/8 x 9-7/8")
Base	: 210mm x 250mm (8-1/4 x 9-7/8")
Overall Height	: 990mm (39")
Weight	: 53kg (117 lbs.)

HIKOKI
BY HITACHI



Bench Drill Press

B23S

Capacity:

Steel : 23mm (7/8")

Power Input : 400W

No Load Speed : 50Hz : 400/830/1,320/2,400/min.

60Hz : 480/990/1,590/2,880/min.

Spindle Taper : No.2 Morse Taper

Swing : 430mm (16-15/16")

Max Quill Stroke : 125mm (4-7/8")

Working Surface : 300 x 300mm (11-13/16" x 11-13/16")

Base : 240 x 240mm (9-3/8" x 9-3/8")

Overall Height : 1,280mm (50-13/32")

Weight : 145kg (319 Ibs.)

HIKOKI
BY HITACHI



Bench Drill Press

B16RM

Capacity : Chuck	: 16mm (5/8")
Power Input	: 750W
LASER	: Class II, Maximum Output<1mW
No Load Speed : 50Hz	: 210/280/320/420/500/540/830/min. 1,290/1,350/1,580/2,180/2,580/min.
Spindle Taper	: JT3
Swing	: 380mm (15")
Spindle Travel	: 85mm (3-11/32")
Table Size	: 336mm x 336mm (13-15/64 x 13-15/64")
Table Tilt	: 45° Right or Left
Base	: 279mm x 518mm (11 x 20-3/8")
Overall Height	: 1,618mm (63-11/16")
Weight	: 75kg (165 Ibs.)